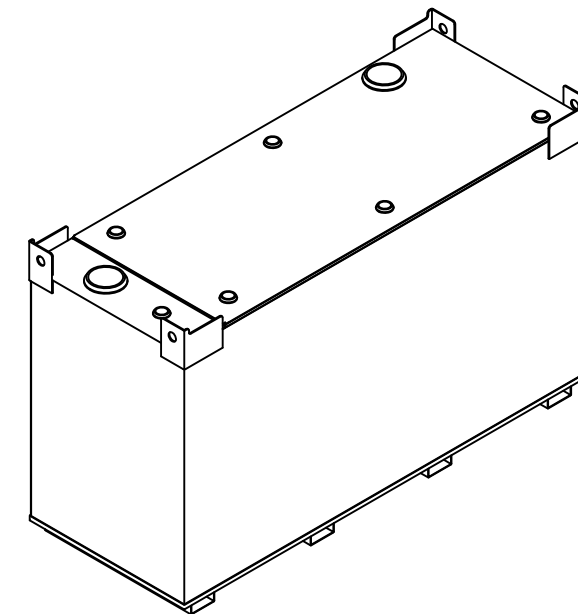
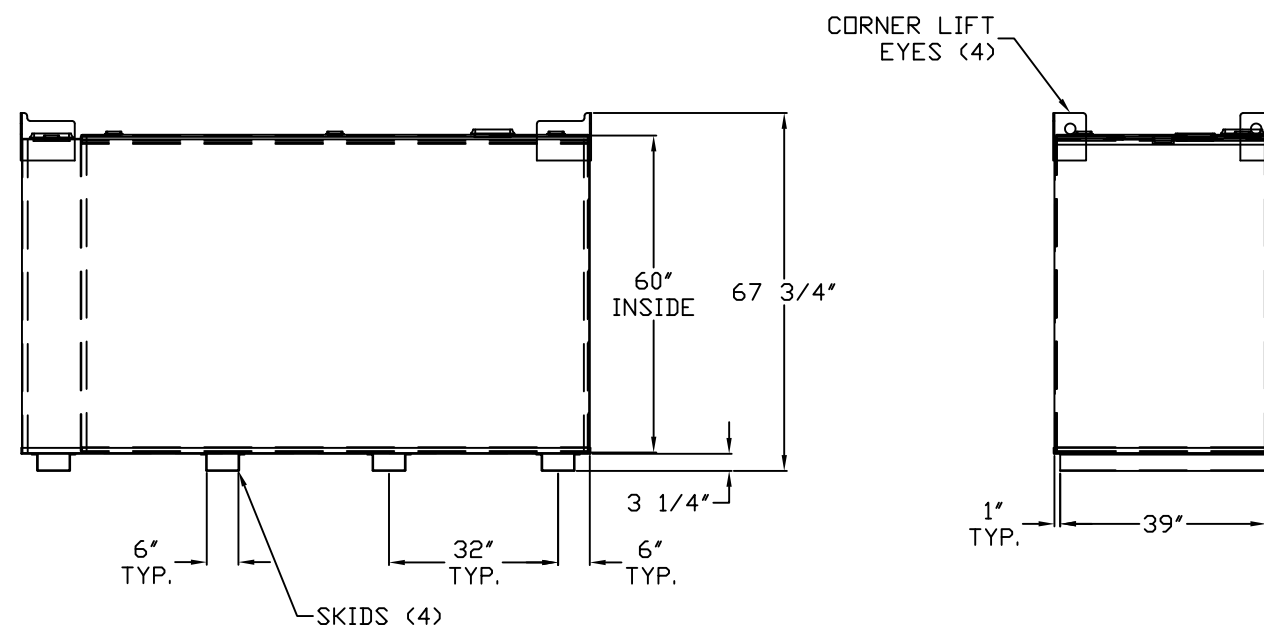
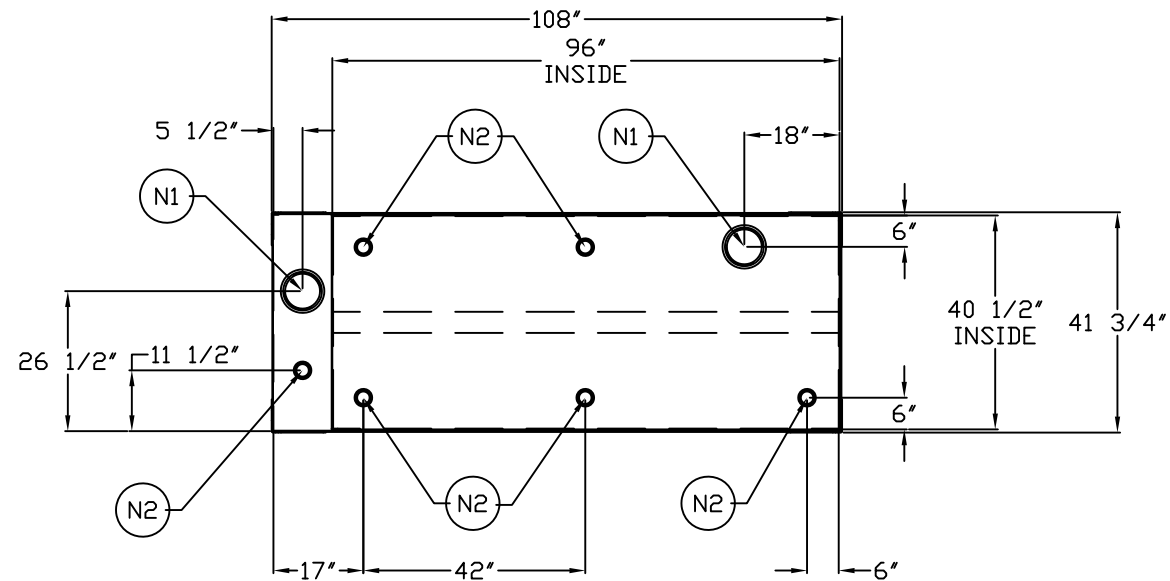


NOZZLE SCHEDULE

ITEM	QTY.	RATING	DESCRIPTION
N1	2	F.N.P.T.	6" H-CPLG. (E-VENTS)
N2	6	F.N.P.T.	2" FORGED THREADED TANK FLANGE



NOTES:

1. TANK BUILT AND LABELED TO UL-142 SPECIFICATIONS.
2. TANK TESTED TO 1.5 P.S.I.G. - 3.0 P.S.I.G.
3. EXTERIOR PAINTED WITH HIGH GLOSS WHITE URETHANE.
4. APPROXIMATE EMPTY WEIGHT = 2,000 LBS.

REV. NO.	REVISION	BY	DATE	DESIGNED BY:	DATE	 NORTHLAND TANK & FAB <small>USEMCO</small>
		CHK'D		CMO	3/27	
				MJS	23	
DESCRIPTION						1,000 GALLON RECTANGULAR DOUBLE WALL LUBE
SCALE						
DWG. NO.						BT6-1000
SHEET 1 OF 1						