

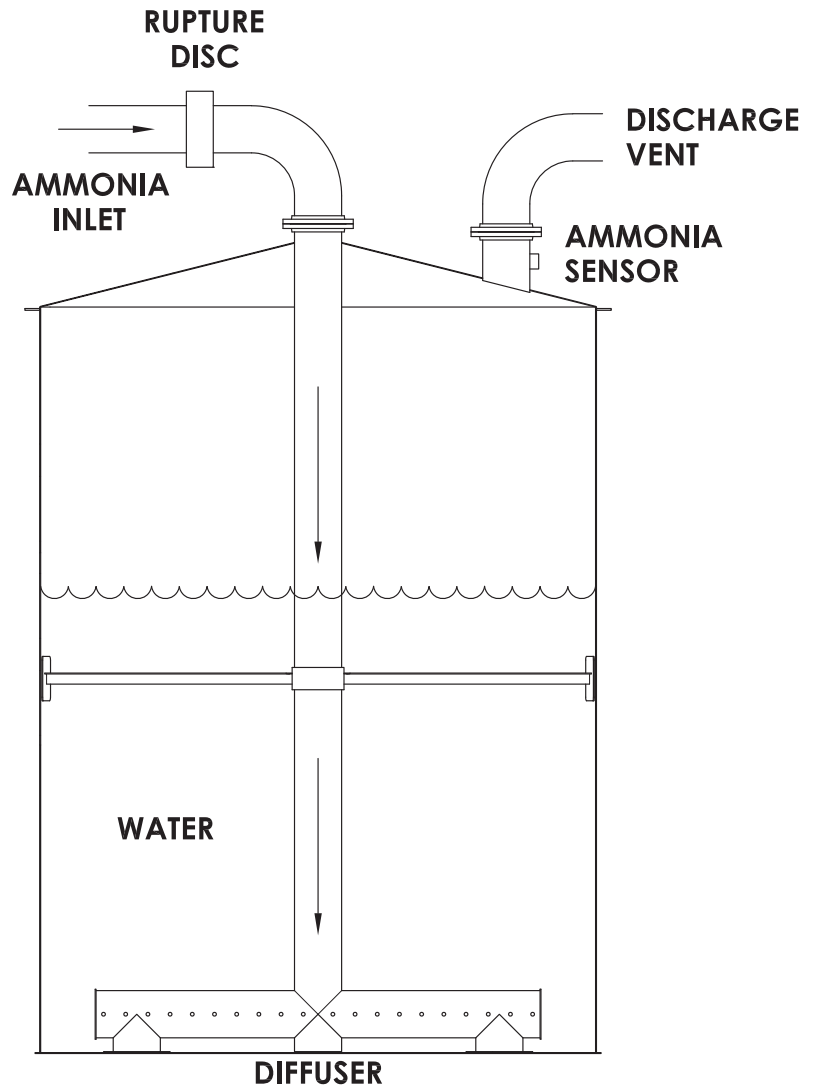
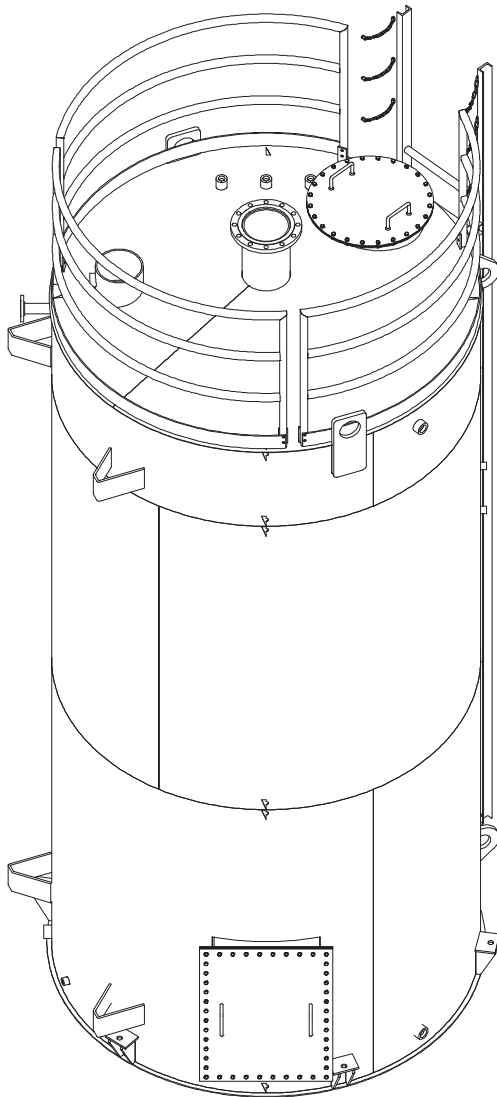


NORTHLAND TANK & FAB

AMMONIA DIFFUSION TANKS

USEMCO's Northland Tank and Fab Ammonia Diffusion Tanks are designed to receive the emergency release of ammonia from a refrigeration system.

The ammonia gas dissolves into the water within the tank, diluting it and reducing its concentration. It may then be safely released into the atmosphere.



Northland Tank and Fab's Ammonia Diffusion Tanks are vertical cylindrical tanks available in epoxy lined carbon steel or stainless steel. An option to insulate the shell and top is also available.

