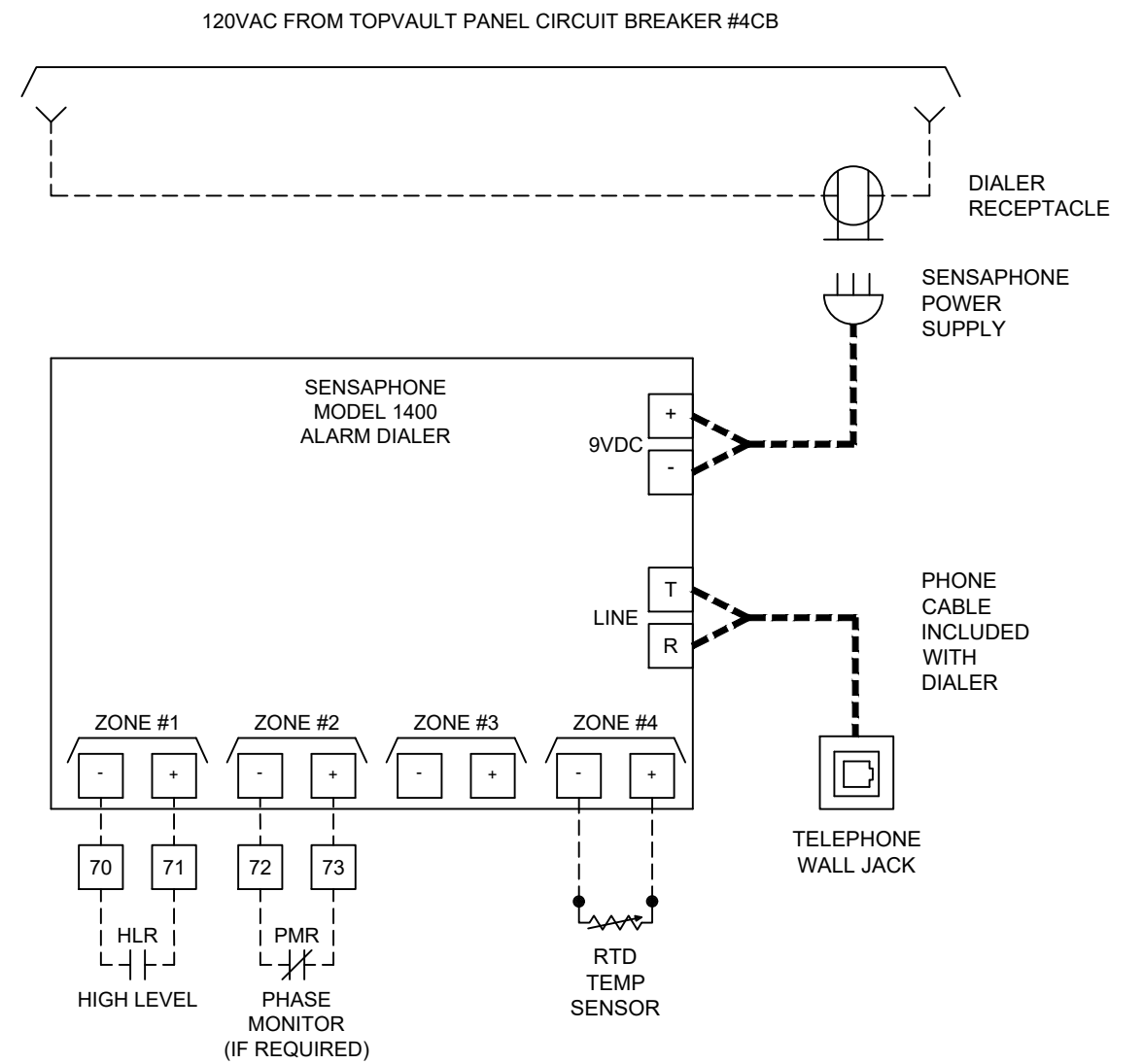
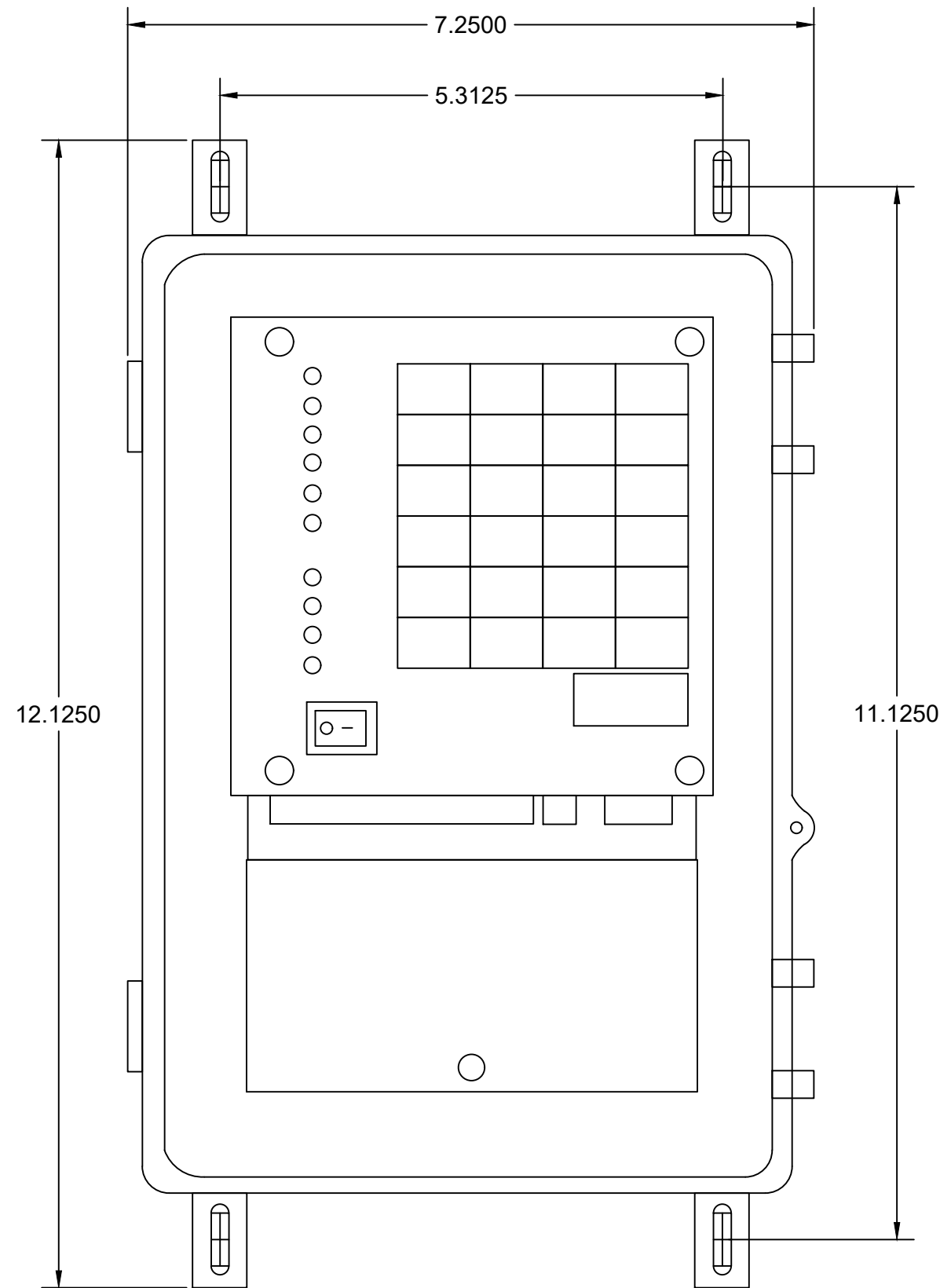


SENSAPHONE ALARM DIALER FGG-1400-CD



CAD3\ELECTRICAL CIRCUIT WBLOCKS\EEE\TOPVAULT\UTVSENSAPHONE1400.DWG

REV. NO.	REVISION	BY CHK'D	DATE	DESIGNED BY:	DATE
				MH	6/28
				DRAWN BY:	DATE
				MH	22
				CHECKED BY:	DATE
				SCALE	

USEMCO

USEMCO INCORPORATED

P.O. BOX 550 (608) 372-5911 TOMAH WI. 54660

USEMCO

DESCRIPTION

**DUPLEX 1-PHASE
TOPVAULT CONTROL PANEL**

DWG. NO. UTVSENSAPHONE1400